

# 1 DAY SEWING COURSE

**BSC-1DAY-02-PGry**  
**BSC-1DAY-02-BGre**



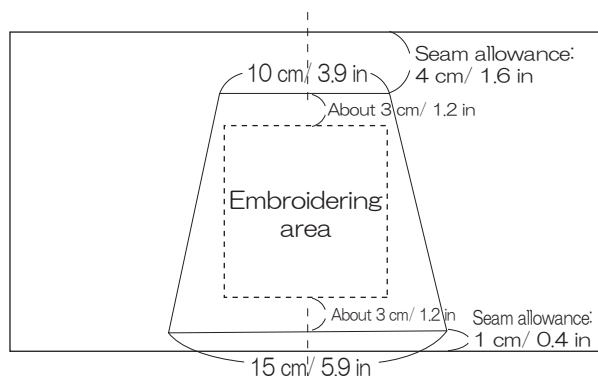
## Tote bag with flower initial

Finished size 25 cm (height) X 28 cm (width) x 12 cm (bottom width)  
/ 9.8 in (height) X 11 in (width) x 4.7 in (bottom width)

## Materials

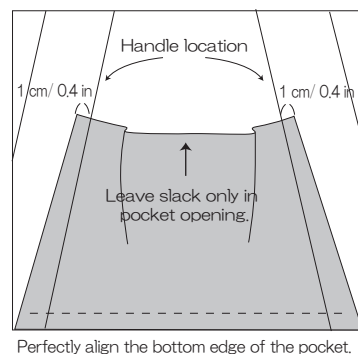
Outside fabric	Canvas A	24.5 cm/ 9.6 in X 43 cm/ 17 in – 2 pieces
Outside bottom fabric	Canvas B	26 cm/ 10 in X 43 cm/ 17 in – 1 piece
Handle fabric	Canvas B	8 cm/ 3.1 in X 83 cm/ 32.7 in – 2 pieces
Outer pocket	Canvas A	16 cm/ 6.3 in X 19 cm/ 7.5 in – 1 piece
Handle backing fabric	Flower-patterned	83 cm/ 32.7 in X 4 cm/ 1.6 in – 2 pieces
Trim fabric	Flower-patterned	4 cm/ 1.6 in X 17 cm/ 6.7 in – 1 piece
Inside fabric	Nylon fabric	30 cm/ 11.8 in X 43 cm/ 17 in – 2 pieces
Inner pocket fabric	Nylon fabric	16 cm/ 6.3 in X 15.5 cm/ 6.1 in – 1 piece
Magnetic snap		1 set
Embroidery stabilizer		29.5 cm/ 11.6 in X 21 cm/ 8.3 in – 2 pieces
Stabilizer		4 cm/ 1.6 in X 100 cm/ 1 yd – 1 piece
Pattern		1 sheet


- ① Embroider a flower initial from the machine's built-in patterns at the center of the outside fabric (canvas A). (up to about 14 cm (height) X 11 cm (width) / 5.5 in (height) X 4.3 in (width))  
The initial or another pattern can also be embroidered on the outer pocket.

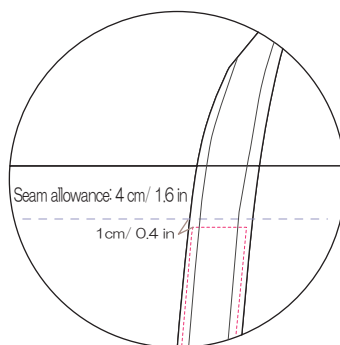


- ② Make the handles  
Fold in both sides of the handle fabric (canvas B) until they meet, and then press.  
Do the same with the handle backing fabric.  
Place the backing fabric along the center of the folded and pressed handle (canvas B), and then secure both sides with stitching.

- ③ Cut the embroidered outer pocket to the size of the included pattern. (The pattern includes the seam allowance.)  
Cover the pocket opening with the trim fabric.  
Place the outer pocket at the indicated location, and then temporarily secure both sides. (Attach the pocket so there is some slack in the opening.)  
Affix stabilizer with a width of 4 cm / 1.6 in to the opening of the outside fabric. Do the same for both the front and back sides.



- ④ Attach the handles made in step ②.  
Sew across parallel to the bag opening at the seam allowance for the opening.  
(This allows you to sew in a straight line when sewing the final stitching for the bag opening.)  
Doubling as reinforcement and design, sew  at the bases of the handles.



- ⑤ Sew the outside bottom fabric together. (seam allowance: 1 cm)  
Fold the seam allowances toward the bottom, and then stitch using a triple stitch, etc.
- ⑥ Sew around the edge of the inside pocket fabric with overcasting.  
Sew a double-fold hem on the edge of the pocket opening, and then put the pocket to one side of the inside fabric.  
While being careful of the handles, with right side together sew the outside and inside fabric for the body. (seam allowance: 1 cm / 0.4 in)
- ⑦ Sew together the sides, starting from the bottom. (Leave an opening of about 12 cm / 4.7 in on one side in order to turn right side out.)  
Sew the bottom to the outside fabric and inside fabric. (bottom width: 12 cm / 4.7 in)  
Turn right side out through the side opening, reshape, and then stitch along the bag opening.

